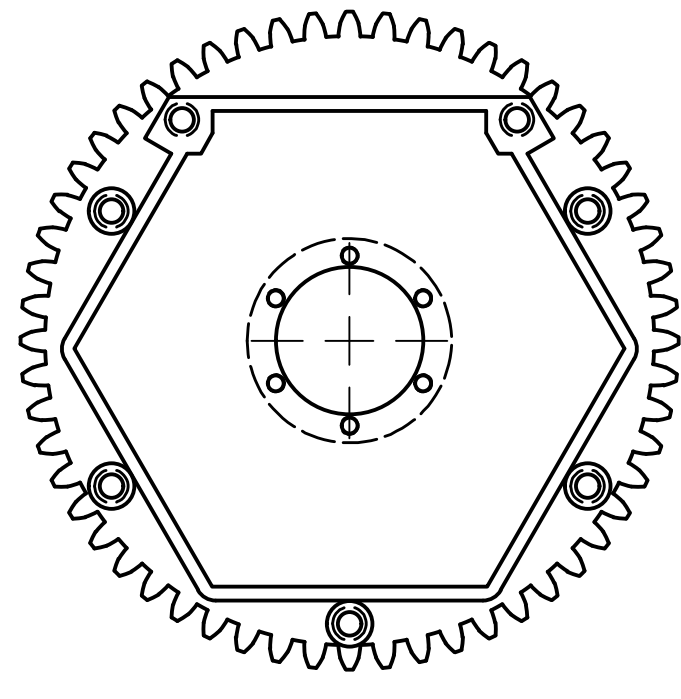
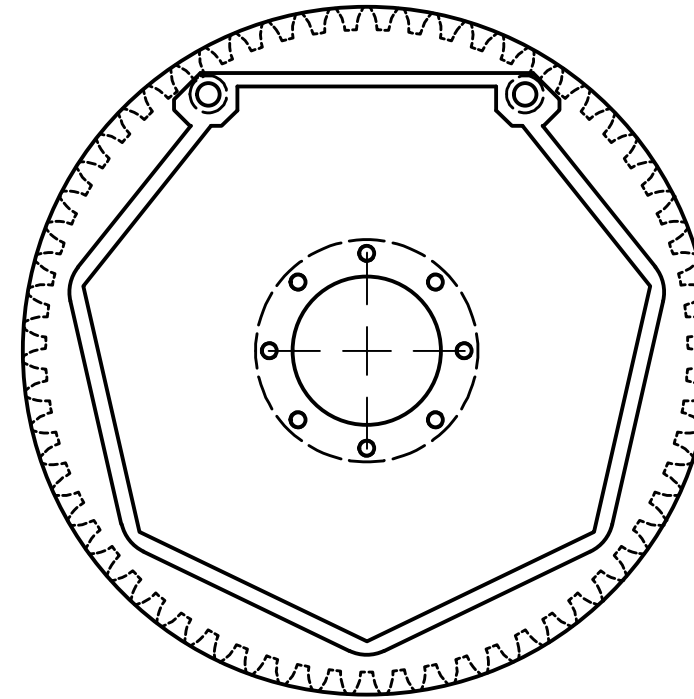


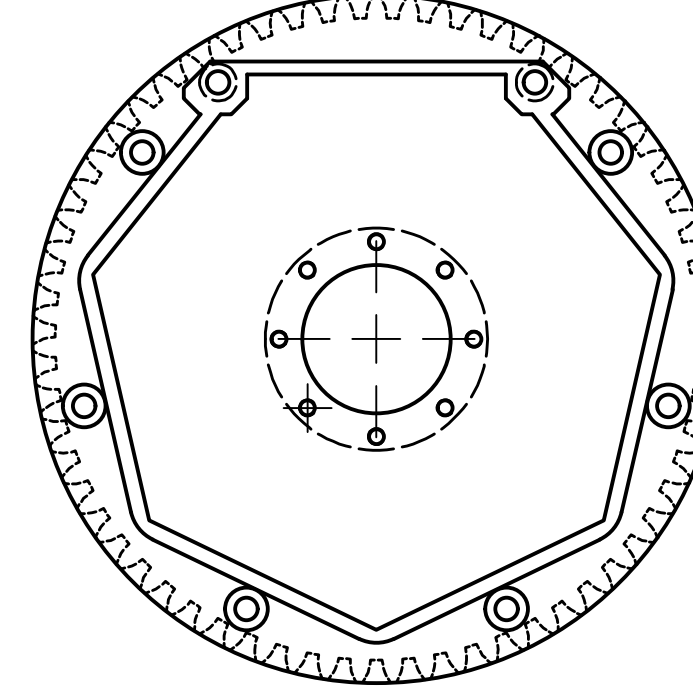
STANDARD HEXAGONAL
ONE-PIECE FOLDED PANEL



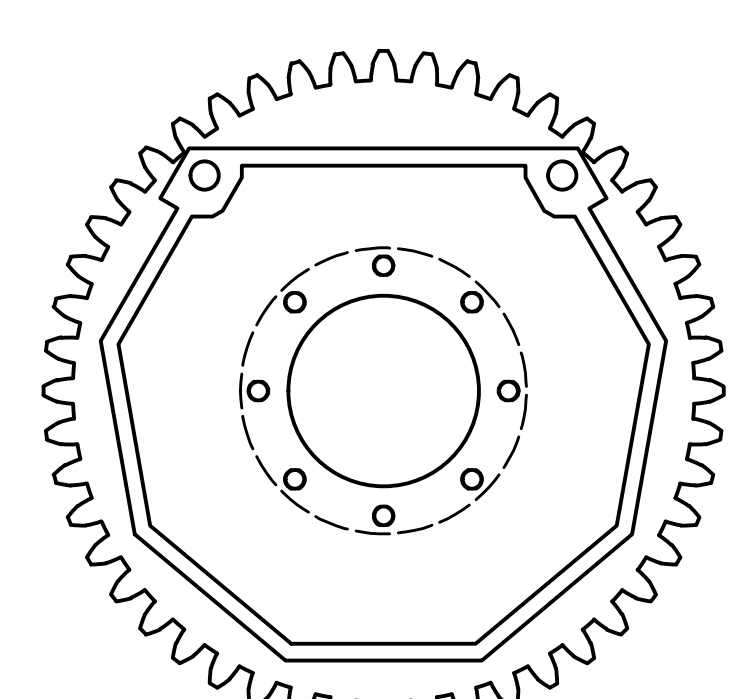
STANDARD HEXAGONAL
ONE-PIECE FOLDED PANEL
WITH FULLY SEALED OUTER
STEEL SUPPORT



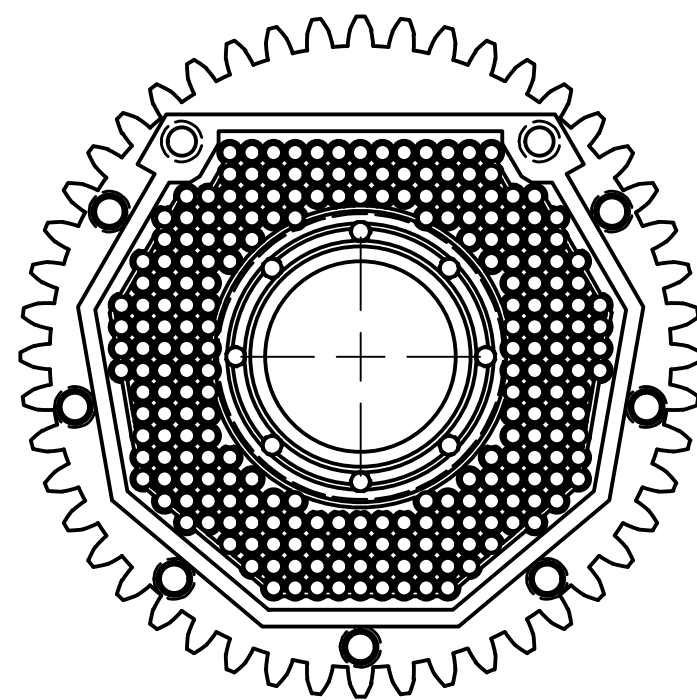
STANDARD HEPTAGONAL
ONE-PIECE FOLDED PANEL



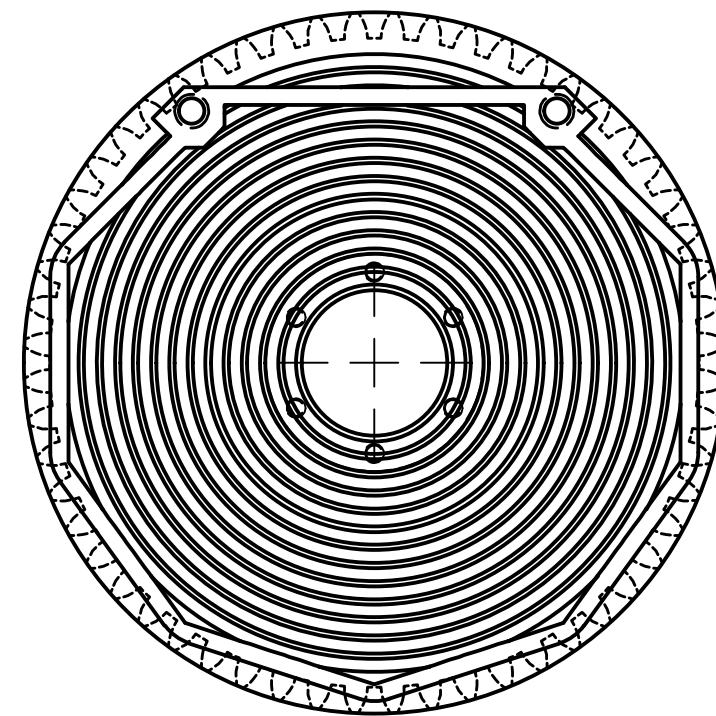
STANDARD HEPTAGONAL
ONE-PIECE FOLDED PANEL
WITH FULLY SEALED OUTER
STEEL SUPPORT



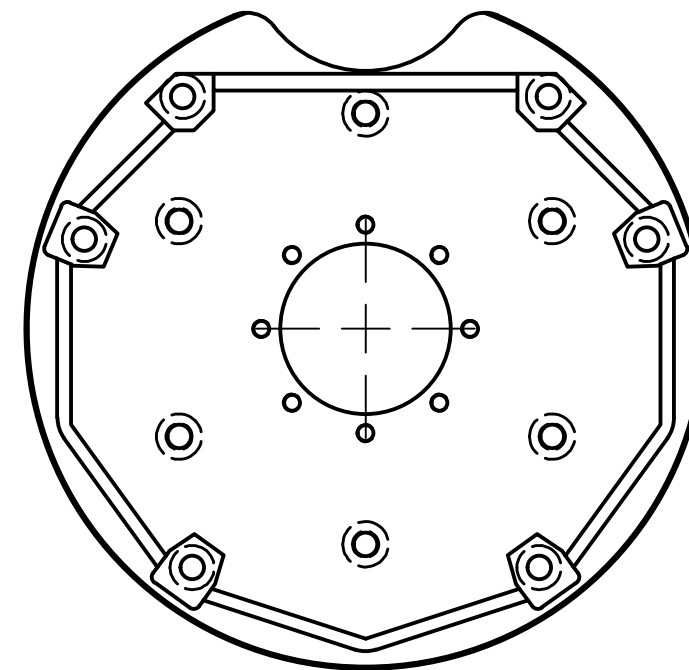
STANDARD OCTAGONAL
ONE-PIECE FOLDED PANEL



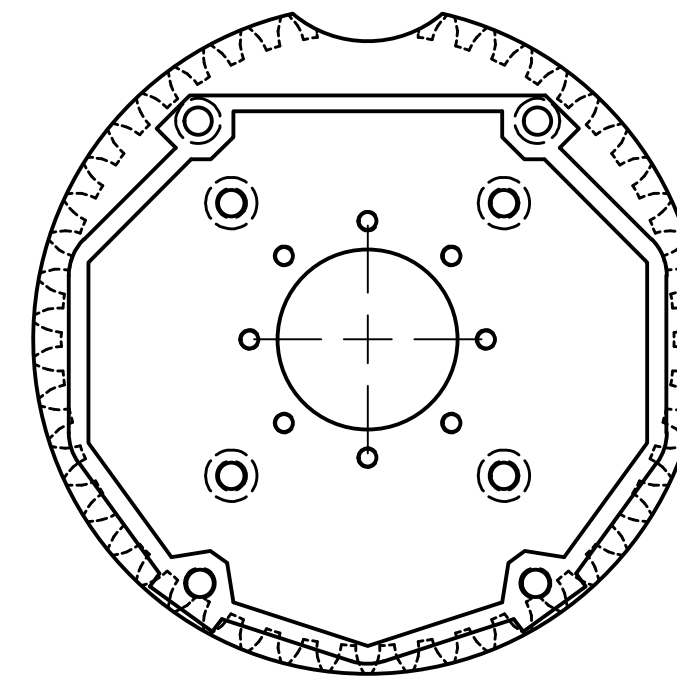
STANDARD OCTAGONAL
ONE-PIECE FOLDED PANEL
WITH FULLY SEALED OUTER
STEEL SUPPORT



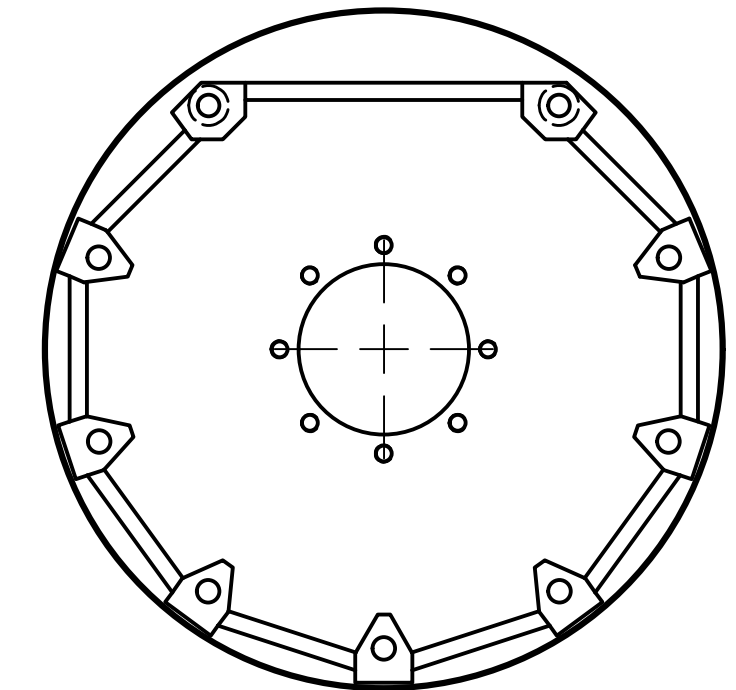
STANDARD 9 SIDED PROFILE
ONE-PIECE FOLDED PANEL



STANDARD 9 SIDED PROFILE
FOLDED PANEL WITH 4 X BREAKER
BARS



STANDARD 9 SIDED PROFILE
FOLDED PANEL WITH 2 X BREAKER
BARS



9 SIDED PROFILE
WITH MULTI BREAKER BARS

DRAWN SMN	21/03/2019	Mat: UHMW, White		
CHECKED		TITLE		
MASS	3.327 kg	Barrel end cheek		
MFG		SIZE	DWG NO	REV
APPROVED		C	BARREL PROFILES	
		SCALE	SHEET 1 OF 1	